

A black metal braai and outdoor kitchen unit is shown on a patio. The unit features a large chimney stack, a main cooking area, and a side unit with two drawers. The background shows a green lawn, trees, and a wooden fence. The scene is captured from a low angle, looking through the patio structure.

The Braai Man

Est. 2015

UK manufacturer of the **authentic**
South African braai and outdoor kitchen units

About Us

Explore our range of braais to discover the kind of South African braai cooking experience you can have in your own home, we offer both built in braais or freestanding versions, plus a range of outdoor kitchen units and braai accessories too. Manufacturing our braais from scratch here in the UK means that we have the freedom to make design alterations to suit our customers' needs as well as the ease of availability and delivery.





Overview

All of our braais are available in 1200, 1000 and 800mm widths (1200 as standard) and in either mild steel or 304 grade stainless steel.

When choosing between mild steel and stainless steel, there is no difference between the design, only the material.

The Stainless steel models are made entirely using grade 304 stainless steel which has a superb protection against rusting and should last a lifetime.

The mild steel braais are weather resistant, since they are shotblasted, primed and painted with a specialist heat resistant matt black paint to protect them from any rusting.

Our paint process aligns with that in the offshore industry, ensuring our braais can stand up to the elements. Being a British manufacturer we understand the importance of the braais being able to withstand the British weather!



Freestanding Braais

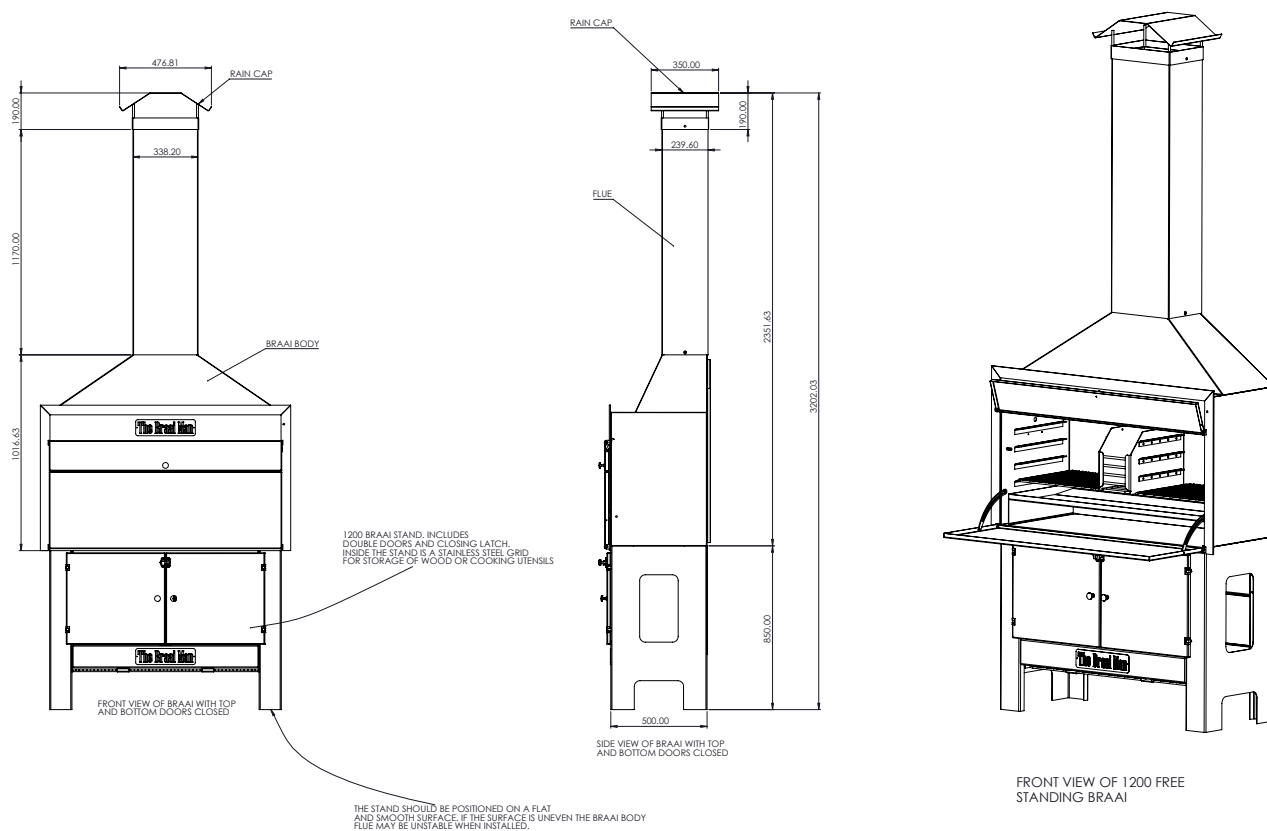
The freestanding braai is our most popular model, the braai and the stand together. The stand is a great storage place for plates, dishes, cooking utensils or even braai wood. This model doesn't need to be fixed to a permanent position or structure, it can even be moved if needed.

The 1200 freestanding model includes the braai itself, a 4 legged stand, 3 heavy duty stainless steel cooking grills, a moveable ember maker, ash tray, 1.2m flue and a rain cap. Other accessories are available to purchase, from rotisseries to kebab sets and grill plates.

Prices (inc VAT) :

Mild steel freestanding 1200 braai is £1,675

Stainless Steel freestanding 1200 braai is £2,990



Built-In Braais

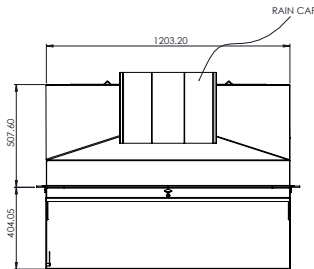
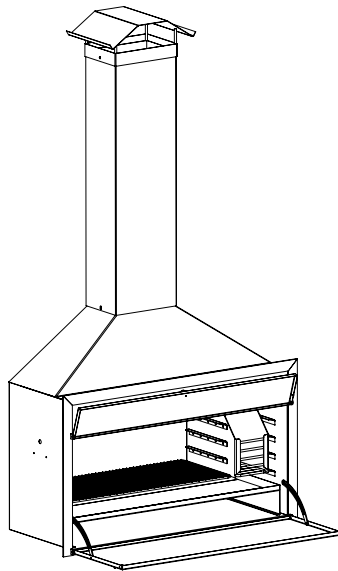
For the built-in braai it is important to have a solid and heat resistant surface for the bottom of the braai to sit on. We recommend a heat resistant concrete lintel/slab or thick stone. If you plan to clad around the braai, we would recommend leaving a minimum of 20mm between the inner skin of the non-combustible building material and the surface of the braai.

The 1200 built-in braai includes an ember maker, 3 heavy duty stainless steel grills, an ash pan, 1.2m flue and a rain cap. Other accessories are available to purchase, from rotisseries to kebab sets and grill plates.

Prices (inc VAT) :

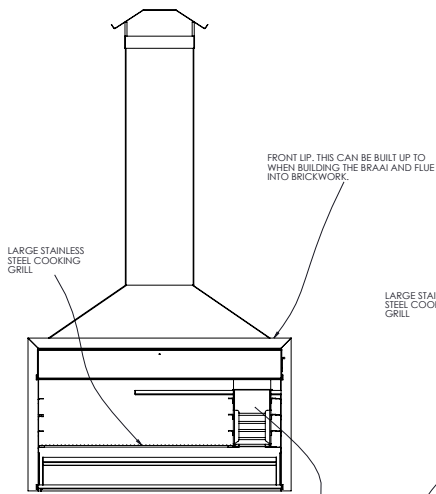
Mild steel 1200 built in braai is £1,195

Stainless Steel 1200 built in braai is £2,300

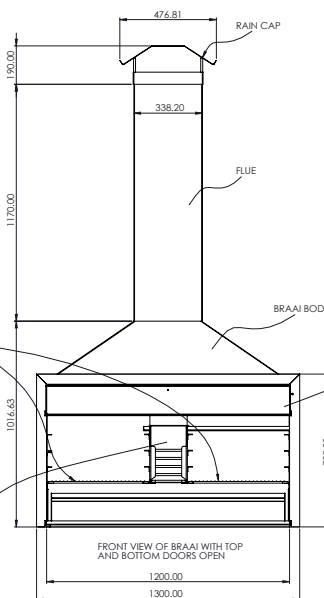


BIRDS EYE VIEW OF BRAAI WITH TOP AND BOTTOM DOORS OPEN

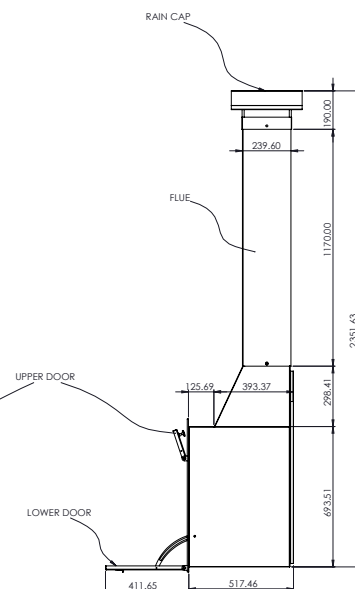
FRONT VIEW OF 1200 BUILT IN BRAAI



FRONT VIEW OF BRAAI EMBER MAKER IN RIGHT HAND POSITION



FRONT VIEW OF BRAAI WITH TOP AND BOTTOM DOORS OPEN



SIDE VIEW OF BRAAI WITH TOP AND BOTTOM DOORS OPEN

EMBER MAKER CAN BE MOVED TO EITHER CENTRE OR RIGHT HAND POSITION. STAINLESS STEEL GRILLS ARE SUPPLIED AS STANDARD FOR BOTH POSITIONS

Outdoor Kitchen Units

Modular and configurable outdoor kitchen units from The Braai Man!

Our outdoor kitchen units are designed to match our range of braais to complete any outdoor kitchen.

As well as the units in this brochure, we also manufacture units to suit Kamado barbecues and other grill manufacturers, plus splash backs, rear facias and corner units to create 'L' shaped layouts.

Add units together depending on the scale of your outdoor living space – we are happy to put design layouts together for you so please get in touch.



Modular and configurable outdoor kitchen units





Drawer Units

The drawer units are available with 2, 3 or 4 drawers in a range of widths. All units are 500mm deep and 855mm high.

Each draw is assembled with a pair of ball bearing draw runners for smooth and easy use with a 45kg load capacity per drawer. We can also add adjustable feet to suit your surface.

Prices (inc VAT) :

Two Drawer Unit

1200mm width – £1,120

1000mm width – £1,055

800mm width – £995

600mm width – £785

Three Drawer Unit

1200mm width – £1,285

1000mm width – £1,195

800mm width – £1,105

600mm width – £895

Four Drawer Unit

1200mm width – £1,454

1000mm width – £1,335

800mm width – £1,220

600mm width – £1,000

Soft close ball bearing
draw runners and
adjustable feet

Shelf Units

The shelf units include two shelves and are available in a range of widths. All units are 500mm deep and 855mm high.

Prices (inc VAT) :

1200mm width – £890

1000mm width – £825

800mm width – £765

600mm width – £530



Stainless Steel
shelves and tops



Sink Unit

The sink unit houses a single sink, draining board and either a drawer or shelf underneath (this unit is only available in 1200mm widths). Tap not included.

Prices (inc VAT) :

1200mm width – £1,030



Fridge & Bin **Combi Unit**

The fridge and bin combi unit houses an outdoor rated fridge and large undercounter pull-out waste bin. (This unit is only available 1200mm wide).

Prices (inc VAT) :

Fridge & Bin Combi Unit (including BeefEater outdoor single door fridge) – £2,265

Housing unit with bin (fridge not included) – £890

Stand alone BeefEater outdoor single door fridge – £1,375



BeefEater 120L
Single Door Fridge



Contact **Us**

For further information, or if you have any questions, please don't hesitate to contact us:

Tel 07817 653479

Email enquiries@thebraaiman.com

Web thebraaiman.com

 [thebraaiman_uk](https://www.instagram.com/thebraaiman_uk)

 [TheBraaiMan](https://www.facebook.com/TheBraaiMan)





2025